

Open lifting platform UnaPorte:

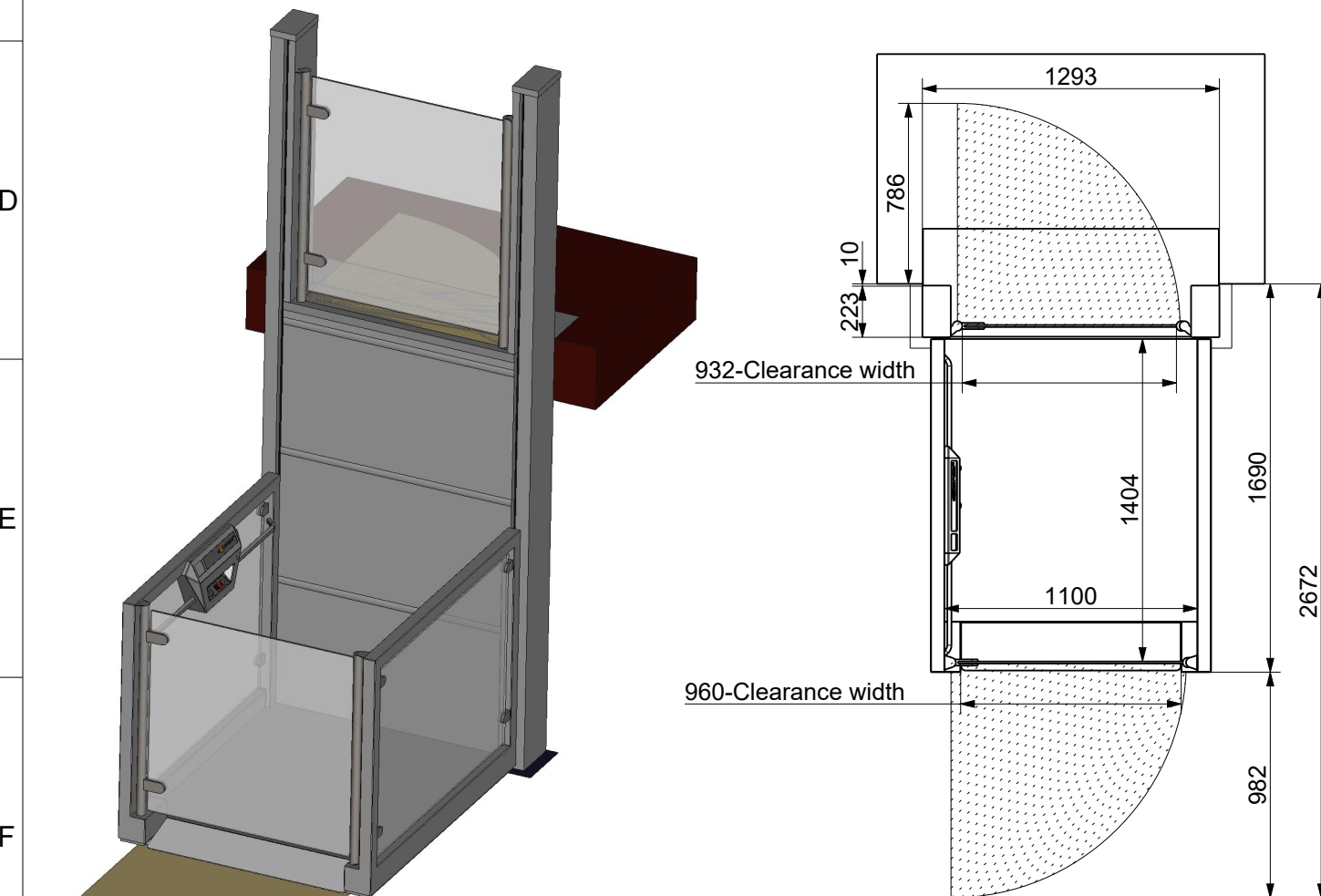
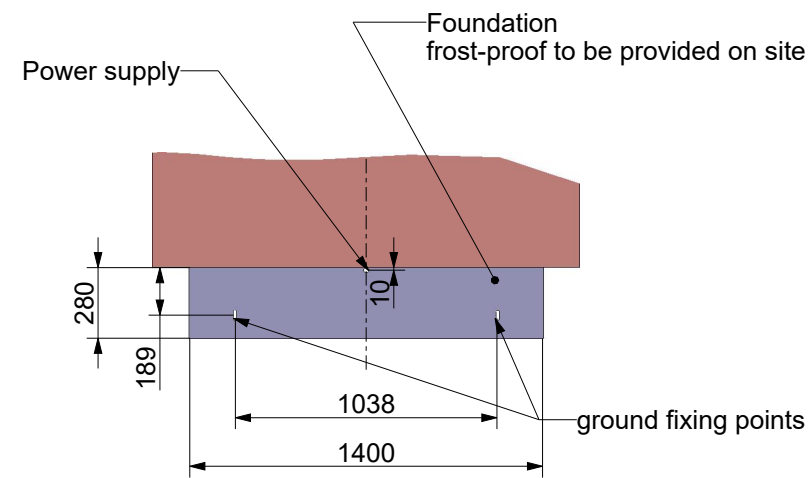
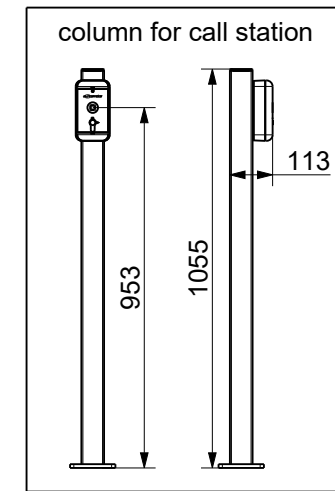
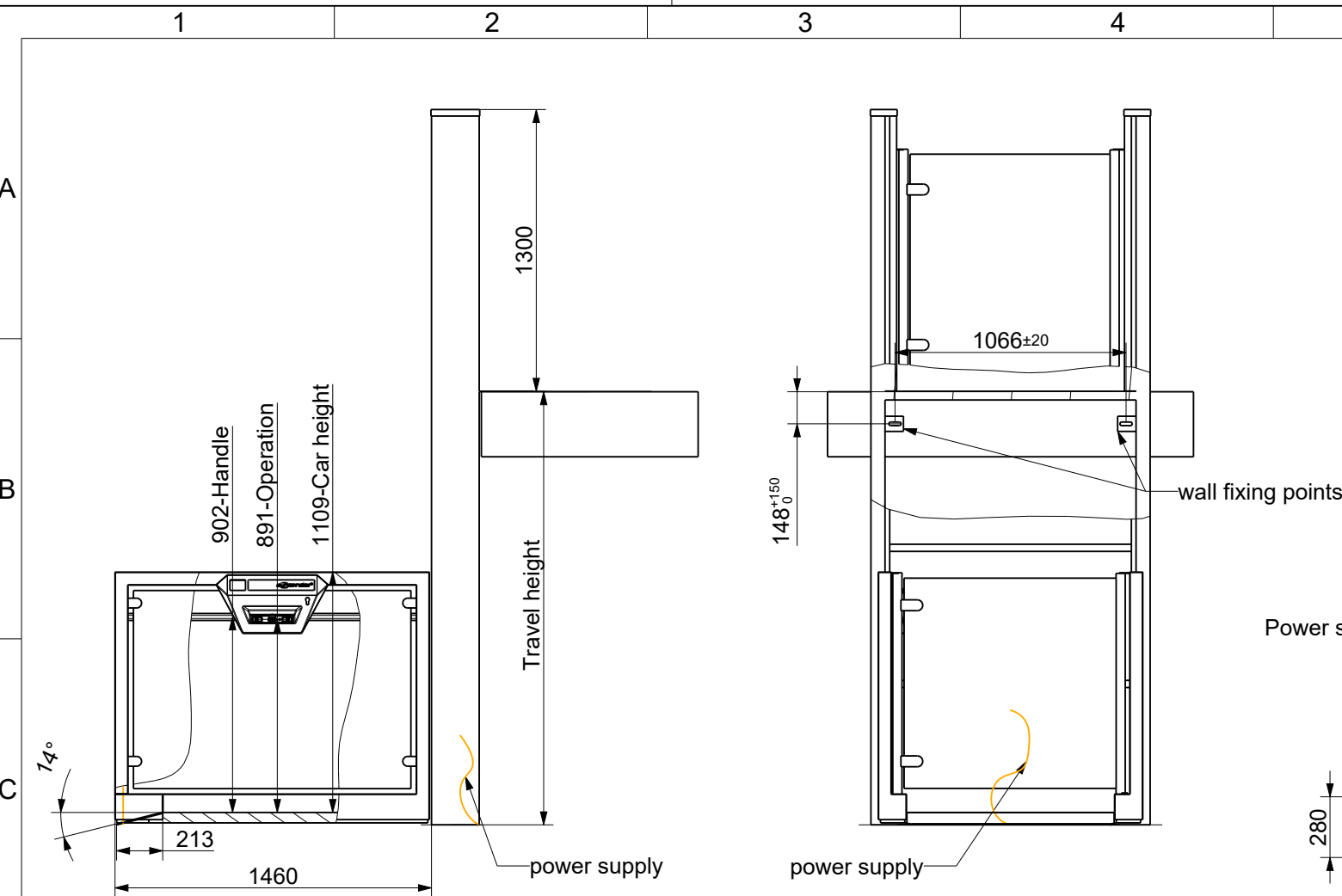
Platform size: 1400x1100mm
 Load capacity: 385kg
 Car color: Standard RAL 9022
 Lifting column color: Anodized aluminum
 2x radio wall mounted call stations incl. key switch
 driving speed: 0,15m/sec.

Configuration:

Car door:
 DIN-L
 DIN-R
 automatic door operator

Lifting column door:
 DIN-L
 DIN-R
 automatic door operator

- outdoor installation
- indirekte RGB LED Beleuchtung im Fahrkorb
- emergency call function with GSM speech connection
- SMS remote enquiry incl. emergency call via GSM voice connection
- Euro-Key for call station or on-board control
- voice output
- automatic uninterrupter power supply
- rear wall cladding for lifting column
- safety contact strip on the car
- shorten ramp at upper landing
- on-board control on both sides of the car
- extended access ramp on car
- column for call station



- ▷ Ready to use electrical power supply 230V 50Hz (L/N/PE with 2,5mm² cable cross-section) to liftn column. Additional free cable length from cabinet min. 1,5m. The electrical connection of the supply line must be checked by a specialist after installation in accordance with current standards and regional regulations and is only approved for provisional operation.
- ▷ Residual Current Circuit Breaker (RCCD), 2 different versions are possible:
 - ▷ Operation with all-current sensitive RCD (type B), with a rated residual current I_n of 30 mA, suitable for operation with frequency converter; rated current 40A. In addition, a separate line protection 16A type "C" must be provided for the lift system.
 - ▷ Operation without RCD directly on line protection 16A type "C". The electrical connection must at least fulfil the zeroing conditions.
- ▷ Frost-proof strip foundation or similarly load-bearing substrate directly underneath the lifting column. Concrete strength class C20, dimensions, position and bearing forces as per factory drawing.
- ▷ Two anchoring possibilities at the upper stop. See drawing for position and forces
- ▷ In addition, the "on-site requirements UnaPorte" apply in the current version.

Dateiname des Zeichnungsobjektes: UP_MUSTERZEICHNUNG		Dateityp: ASSEM	Dateiname der Zeichnung: UP_MUSTERZEICHNUNG	
Allgemeintol. DIN ISO 2768-m-H		Kanten DIN ISO 13715	Maßstab 1:30	Gew.:7204.914kg
Datum		Name	Benennung: Ascendor Sample Drawing UnaPorte	
Bear.	01.09.2021	Schönberger		
Gepr.				
Norm				
Zust. Änderung Datum Nam. (Urspr.)			Zeichnungsnummer: Musterzeichnung	
			(Ers.f.):	(Ers.d.):
			Blatt2 2 Bl.	

